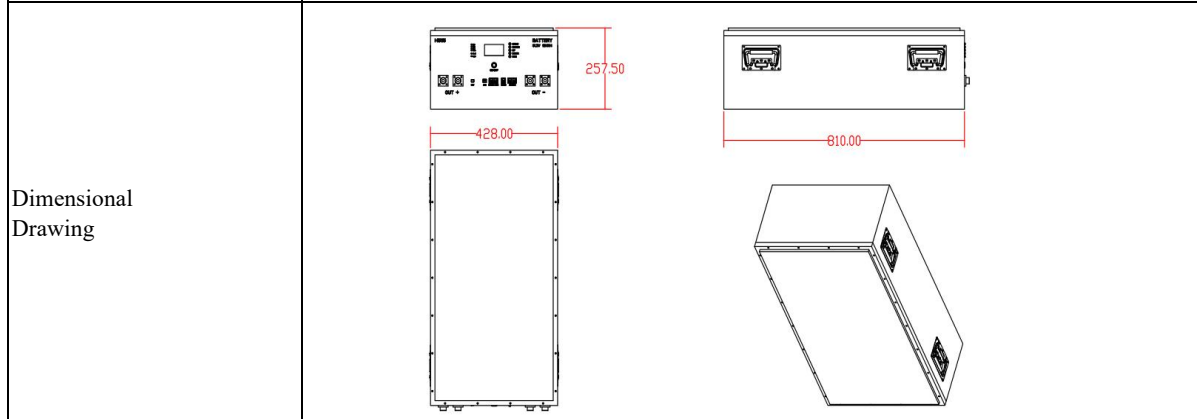


HYXinbattery 51.2V 280Ah Rack Battery Household Energy Storage Battery



Model Name	H5115				
Nominal Voltage	51.2V				
Rated Nominal capacity	15KWH (280AH)				
Internal Impedance	≤12mΩ				
Voltage (Packing)	51.2~54.4 V				
Limited Charging Voltage	58.40 V				
Maximum Charging Current	Environment Temperature	Relative Humidity	Charging Current	Limited Charging Voltage	Cutoff current of CV
	0°C ~ 15°C	65±20%	MAX: 0.2C	MAX: 58.4V	0.025C
	15°C ~ 45°C	65±20%	MAX: 0.5C	MAX: 58.4V	0.025C
Recommended charging current	0.2C: 56A				
Recommended discharge current	0.5C: 140A				
maximum discharge current	150A (-20°C~60°C ; 65±20%RH)				
end-off voltage	40.0 V Standard battery cut-off voltage				
Life Cycle	0.2C discharge and charge, 5000 times ≥80% initial capacity				
Type of cooling	Self cooling				

Communication Protocols	RS485 RS232 CAN
Battery warranty	3-5 Years
Working Temperature Range	-20~60°C
Storage Environment	-20°C ~ 45°C
	Humidity: 65±20%RH
Weight	100.0KG
Package	30mm Carton: 890*508*338mm
Dimension	810*428*258mm



BMS通讯协议可兼容逆变器品牌 Compatible To Brand Inverte					
序号	厂家	品牌	通讯协议	波特率	
1	固得威	GOODWE	GOODWE	CAN	500K
2	中兴派能	PYLONTECH	PYLON	CAN	500K
3	SOLARFAM	SOLARFAM	SOLARFAM	CAN	500K
4	维克托	VICTRON ENERGY	VICTRON	CAN	500K
5	古瑞瓦特	GROWATT 古瑞瓦特	GROWATT	CAN	500K
6	艾罗	SOLAX POWER	SOLAX	CAN	500K
7	首航	SOFAR 首航新能源	SOFAR	CAN	500K
8	鹏程	LUXPOWER™	LUXPOWER	CAN	500K
9	美克	MUST美世乐	PV1800F	CAN	500K
10	力通威	LTW	LTW	CAN	500K
11	索瑞德	SOROTEC Power Solutions Expert	SOROTEC	CAN	500K
12	迈格瑞能	MEGAREVO	MEGAREVO	CAN	500K
13	日月元	Voltronic Power	VoltronicPower	RS485	9600
14	硕日	SRNE	SRNE	RS485	9600
15	派能	PYLONTECH	PYLON TECH	RS485	9600
16	德业	Deye 德業	Deye	CAN	500K
说明	如需匹配其他品牌逆变器需要提供逆变器品牌型号和逆变器的协议。				